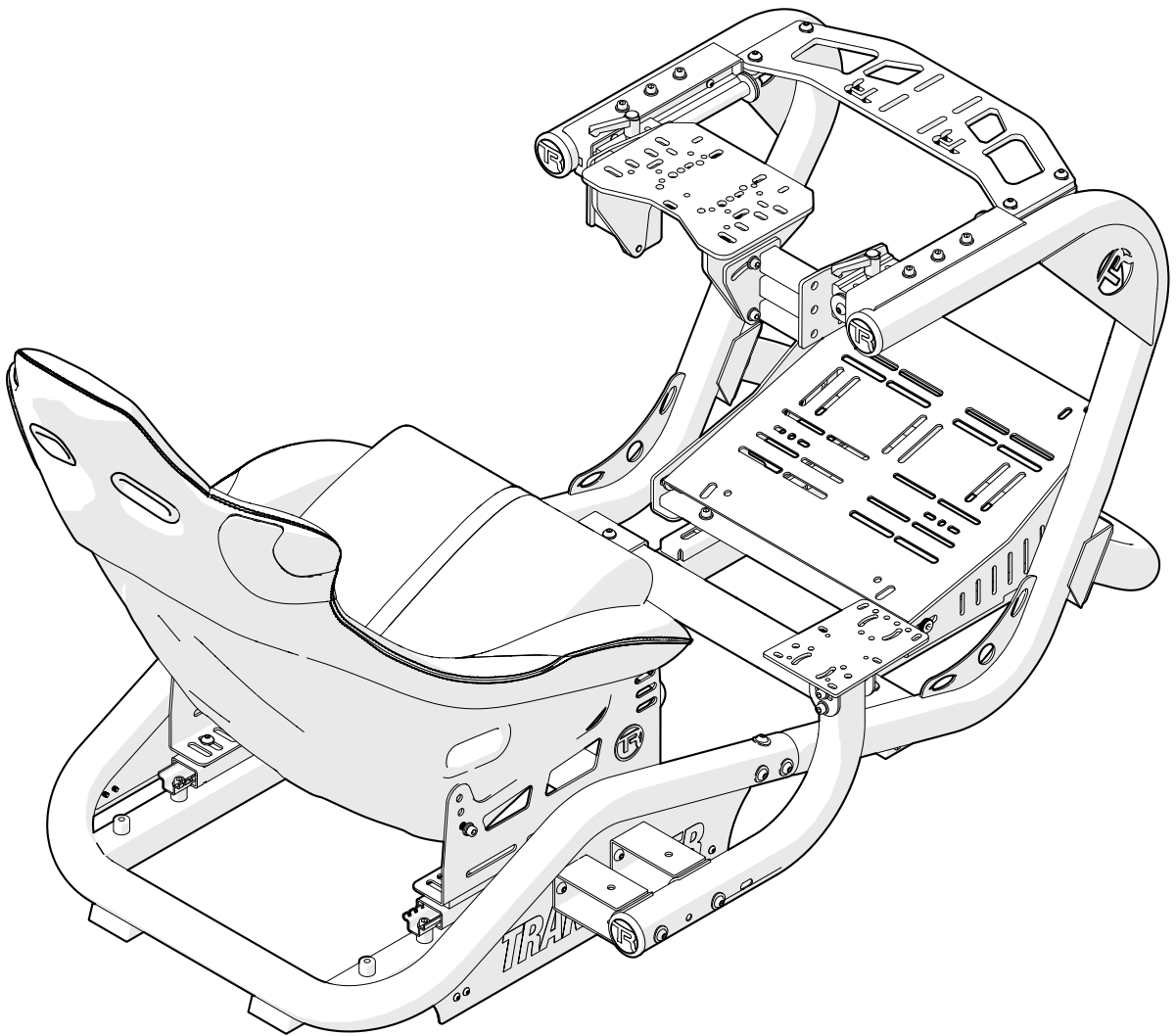


TR8

Assembly Guide



IMPORTANT: As there are different versions of each rig depending on your region, please ensure that you are using the correct instruction set. The part number below should match the part number labeled on your box

TR8-06-B



TRAK RACER

Published 2022-06-04

TABLE OF CONTENTS

3 Symbol Legend

4 Part list

5 Assembly Notes

7 TR8-06-B Assembly Instructions

11 GT/Rally seat installation

13 Recliner seat installation

17 Monitor Stand

19 DD Wheel Mount



IMPORTANT: As there are different versions of each rig depending on your region, please ensure that you are using the correct instruction set. The part number below should match the part number labeled on your box



IMPORTANT: Due to the nature of cut aluminium profile, some metal shavings may still be present after our extensive QA cleaning process. We recommend that boxes and packaging is opened on a hard floor.



NOTE: Some screws and washers are pre-installed. These will be part of the parts list and will need to be loosened and reattached according to the instructions.



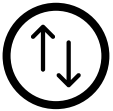
Two people needed



Tighten hardware



Leave hardware loose for adjustment



Make Adjustment



Break tab off Corner bracket CB1



Safety glasses needed



Attention / Priority



Reserve for following step



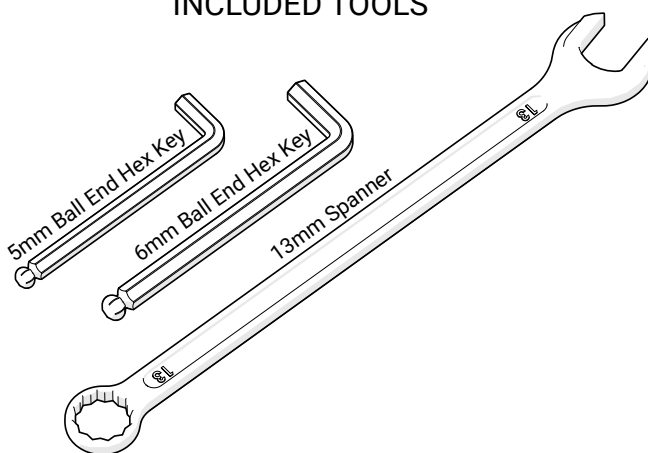
Mirrored Components (Same on both sides)

TR8-06-B PARTS LIST

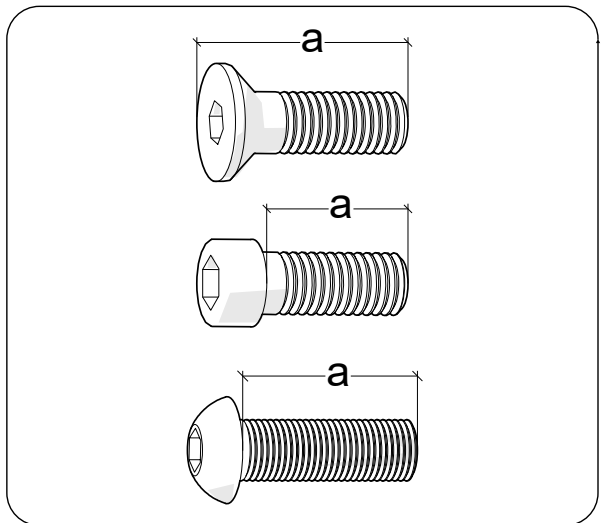
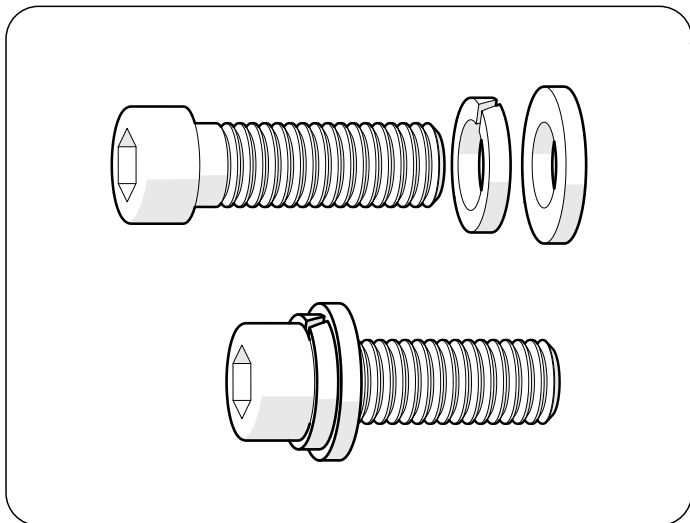
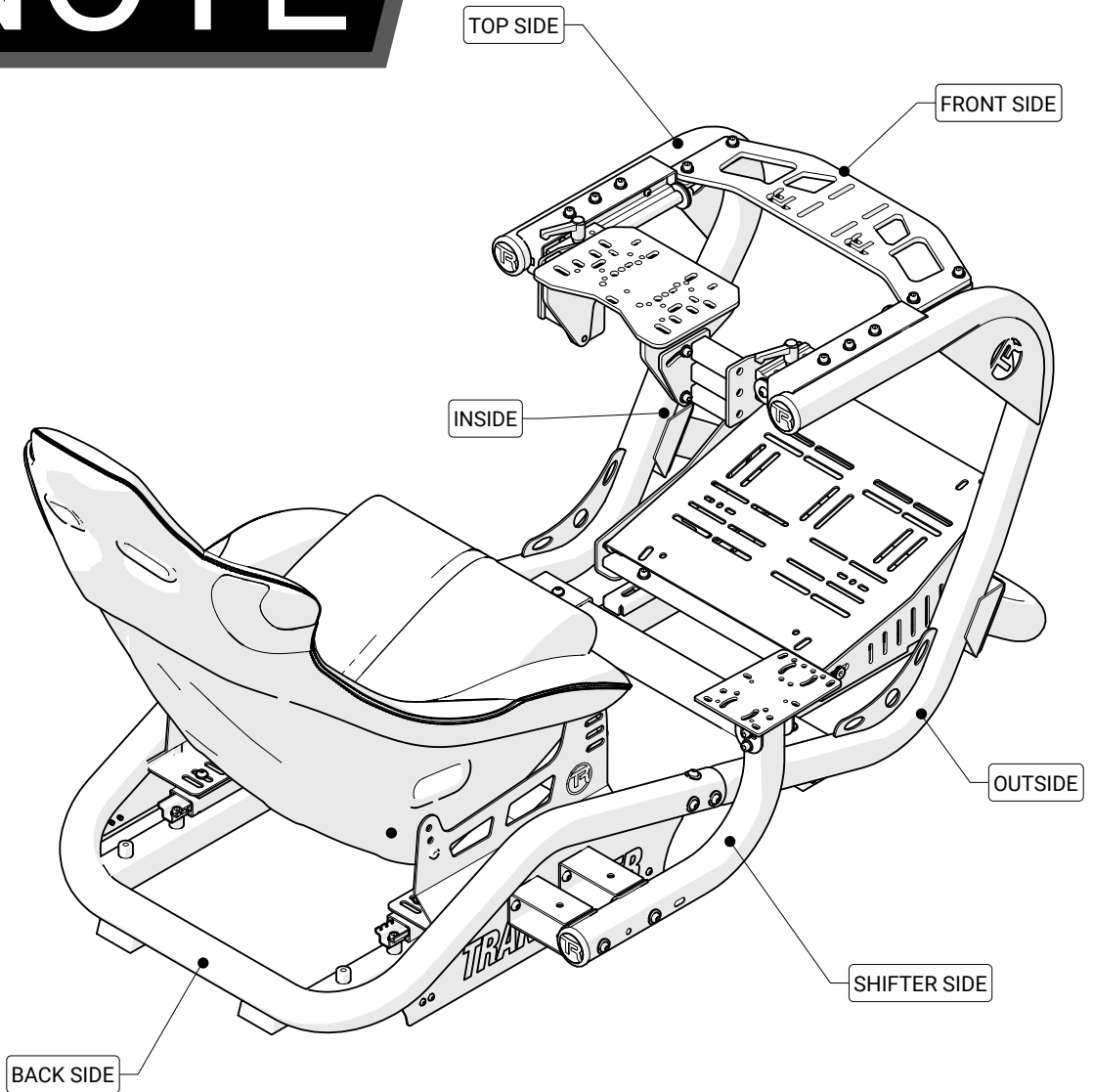
Part #	Description	QTY	Check
TF-TR8-F	Tube Frame, TR8, Front Section	1	
TF-TR8-B	Tube Frame, TR8, Back Section	1	
TF-TR8-L	Tube Frame, TR8, Left Section	1	
TF-TR8-R	Tube Frame, TR8, Right Section	1	
SB-M8-15	Screw (Button), M4x15	32	
SH-M8-16	Screw (Hex), M8x16	4	
SH-M6-16	Screw (Hex), M6x16	8	
SH-M8-20	Screw (Hex), M8x20	4	
SB-M8-65	Screw (Button), M8x65	2	
SH-M5-15	Screw (Button), M5x15	8	
SH-M8-12	Screw (Hex), M8x12	6	
TF-TR8-SA	Tube Frame, TR8, Shifter Assembly	1	
TF-SB	Tube Frame, Shifter Block	2	
TF-TR8-MS	Tube Frame, TR8, Monitor Strut	1	
TF-TR8-WM	Tube Frame, TR8, Wheel Mount	1	
SS-01	Seat Slider	0	
WF-M8	Washer (Flat), M8	18	
WL-M8	Washer (Lock), M8	4	
WC-M8	Washer (Curved), M8	12	
WF-M6	Washer (Flat), M6	8	
WL-M6	Washer (Lock), M6	8	
WM-WM4	Wheel Mount, TR80-NWM4 Assembly	1	

* **NOTE:** Extra hardware may be included as spare parts

INCLUDED TOOLS

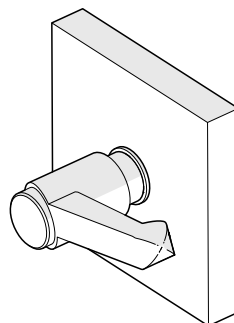
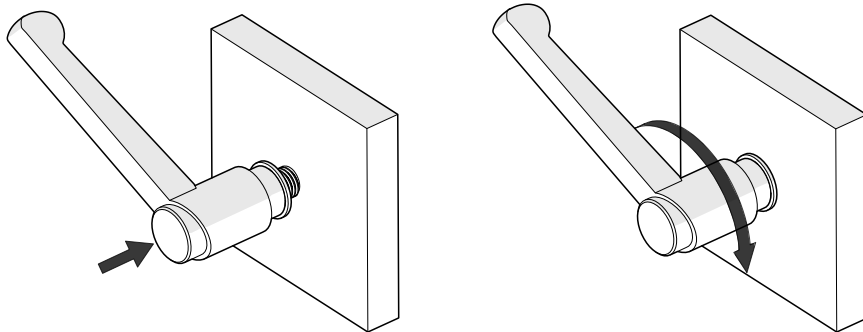
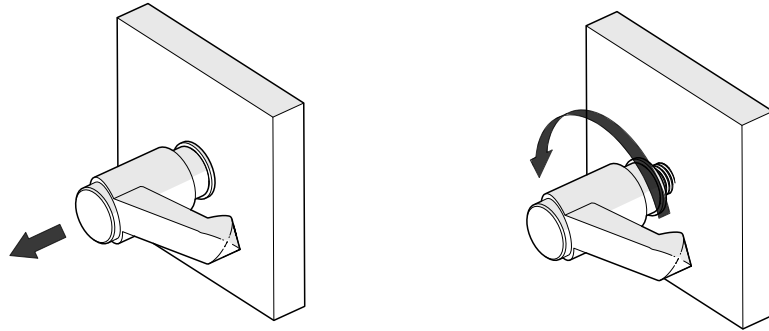
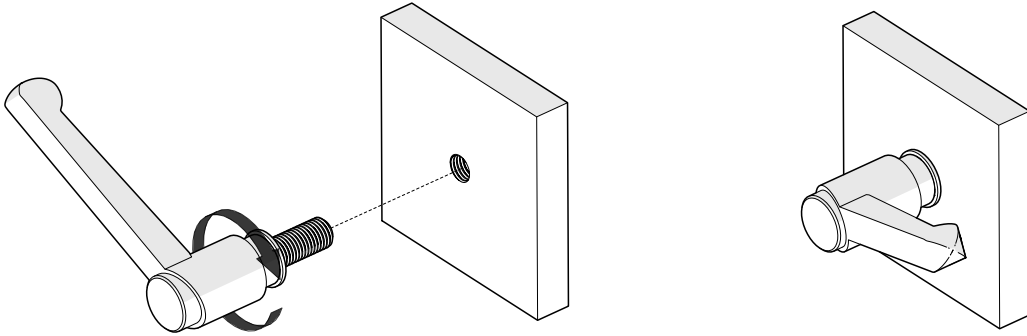


NOTE



NOTE

The handle screws (SL-M8-20 & SL-M8-25) are ratcheted to allow for tightening and loosening when space for rotation is limited. Simply pull the handle out and turn handle into position and push handle back in to engage thread.



1



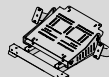
SB-M8-15 x10



TF-TR8-L x1



TF-TR8-R x1

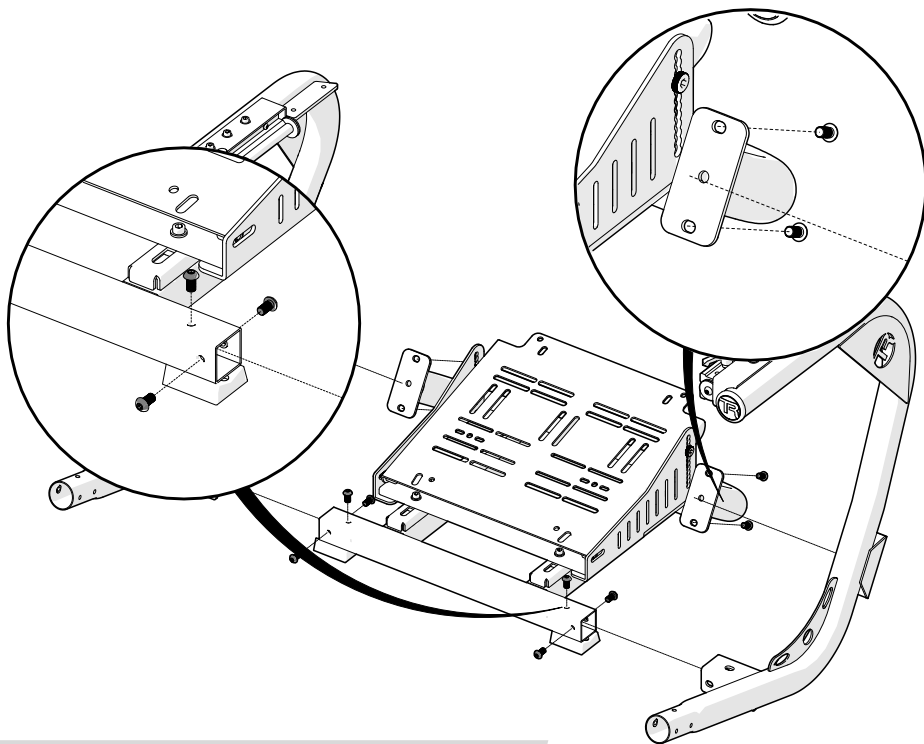


TF-TR8-F x1

NOTE: Some screws and washers com pre-installed. These will be part of the parts list and will need to be loosened and reattached according to the instructions.



Keep slightly loose until STEP 2 completed



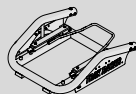
2



SB-M8-15 x10

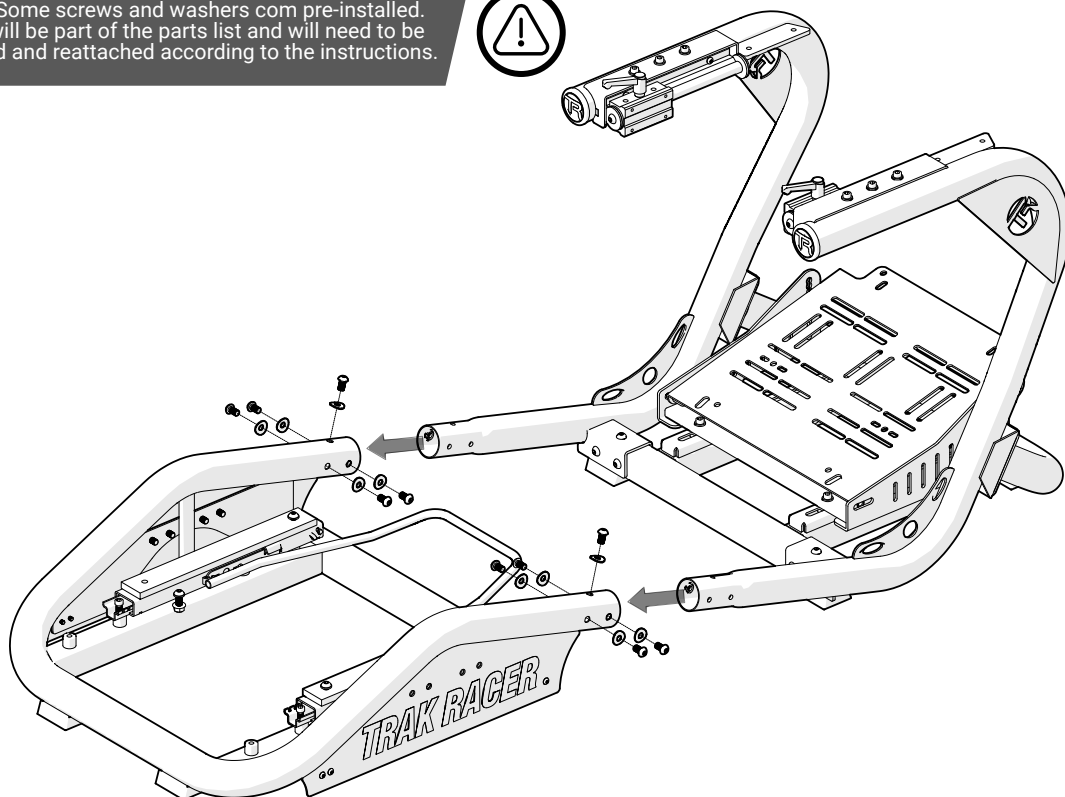


WC-M8 x10

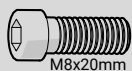


TF-TR8-B x1

NOTE: Some screws and washers com pre-installed. These will be part of the parts list and will need to be loosened and reattached according to the instructions.



3



M8x20mm

SH-M8-20 x4



WF-M8 x4



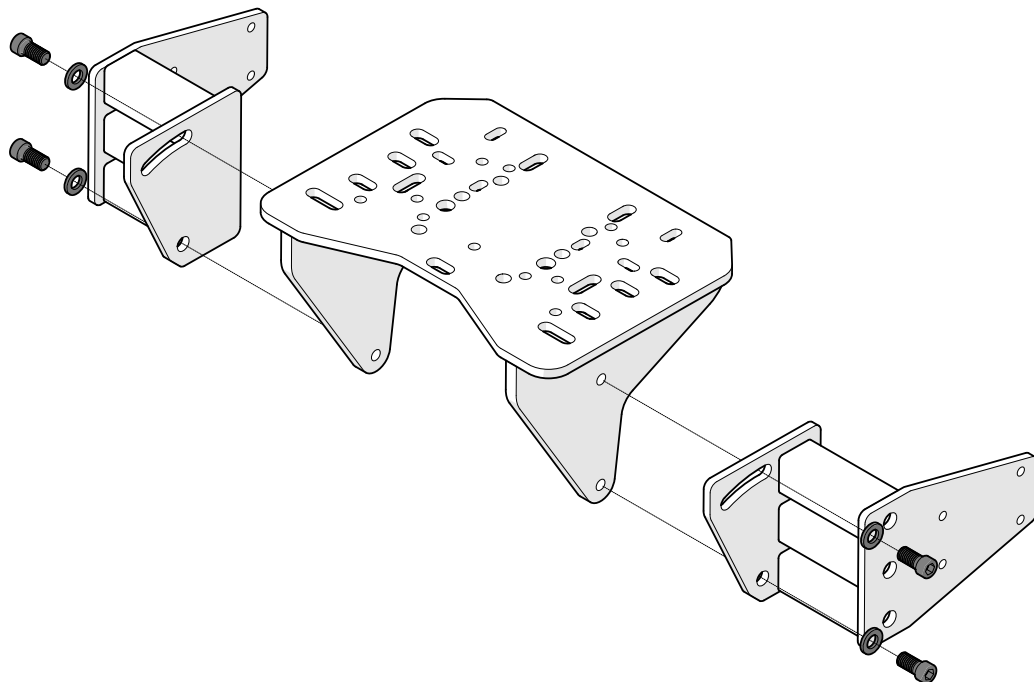
TF-TR8-WM x1



WM-WM4 x1



NOTE: Some screws and washers com pre-installed. These will be part of the parts list and will need to be loosened and reattached according to the instructions.



4



M6x16mm

SH-M6-16 x8

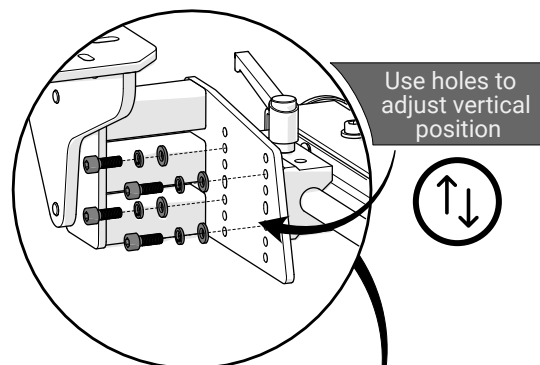


WL-M6 x8



WF-M6 x8

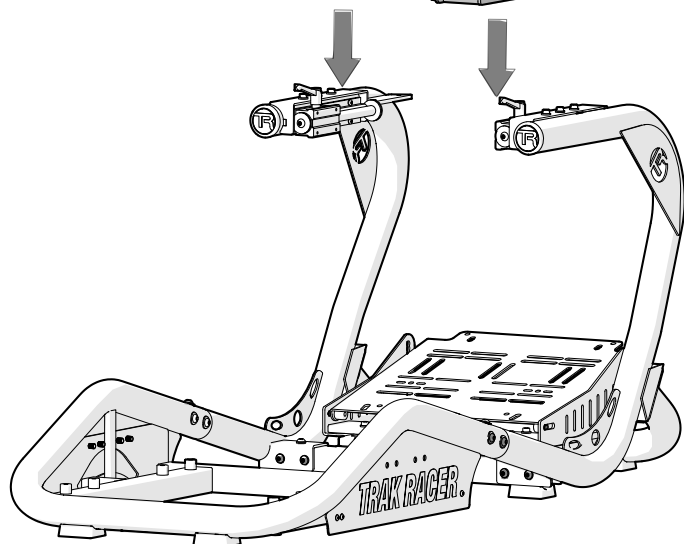
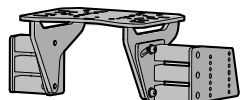
NOTE: Some screws and washers com pre-installed. These will be part of the parts list and will need to be loosened and reattached according to the instructions.



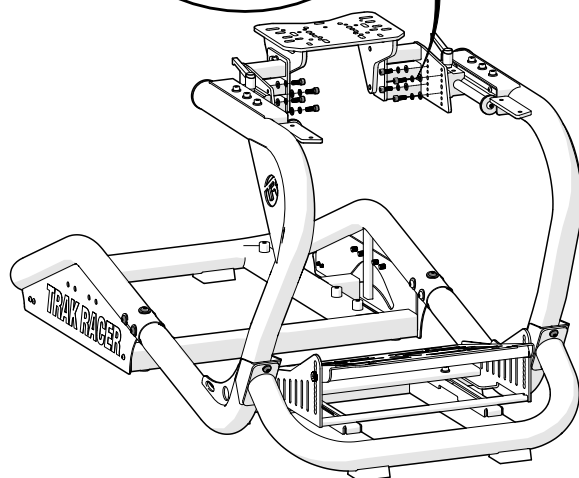
Use holes to adjust vertical position



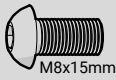
a



b



5

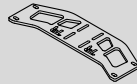


M8x15mm

SB-M8-15 x4

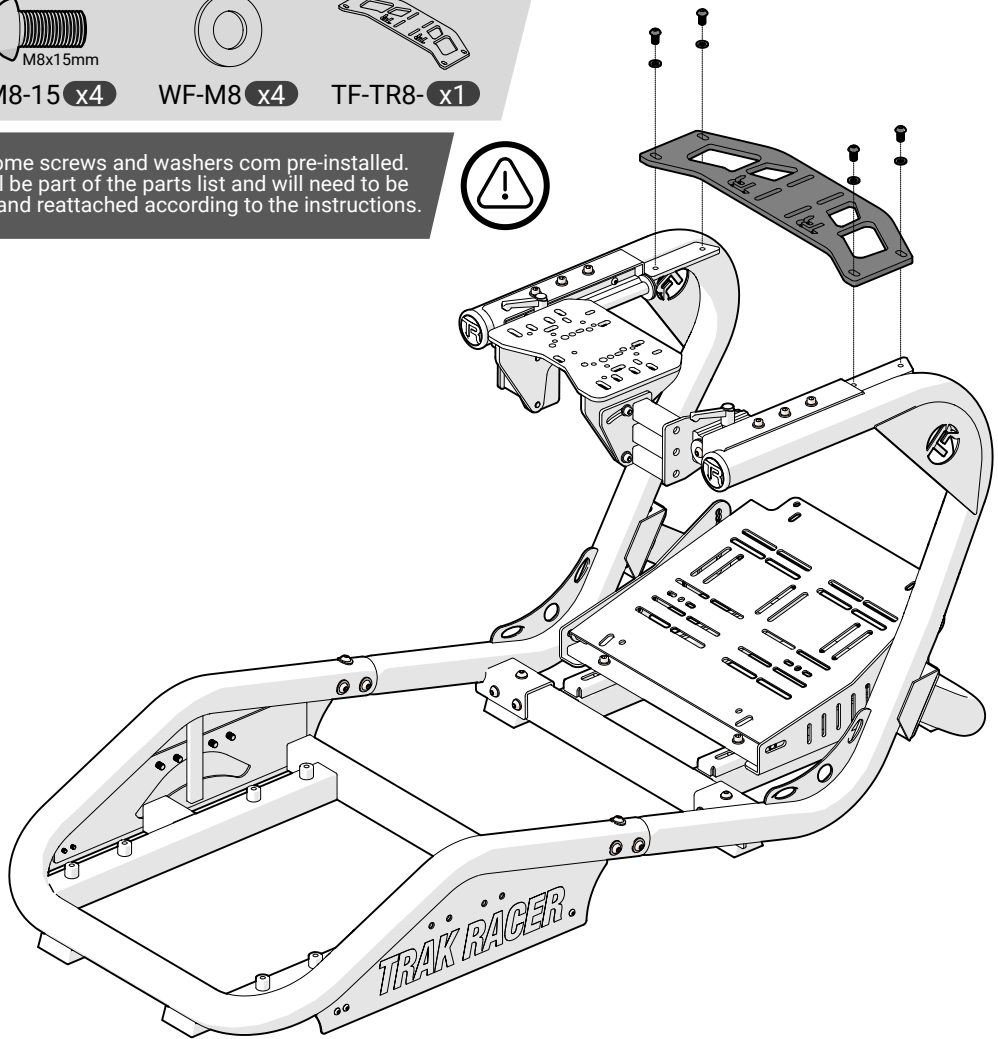


WF-M8 x4

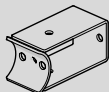


TF-TR8-1 x1

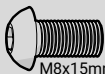
NOTE: Some screws and washers com pre-installed. These will be part of the parts list and will need to be loosened and reattached according to the instructions.



6



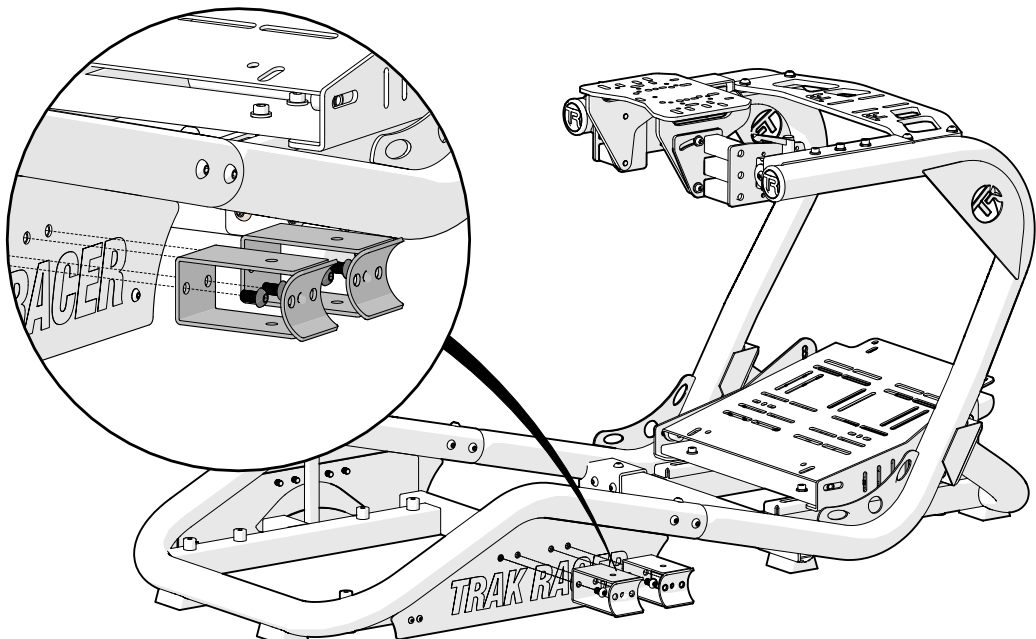
TF-SB x2



M8x15mm

SB-M8-15 x4

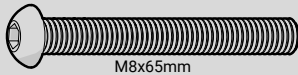
NOTE: Some screws and washers com pre-installed. These will be part of the parts list and will need to be loosened and reattached according to the instructions.



7



TF-TR8-SA x1

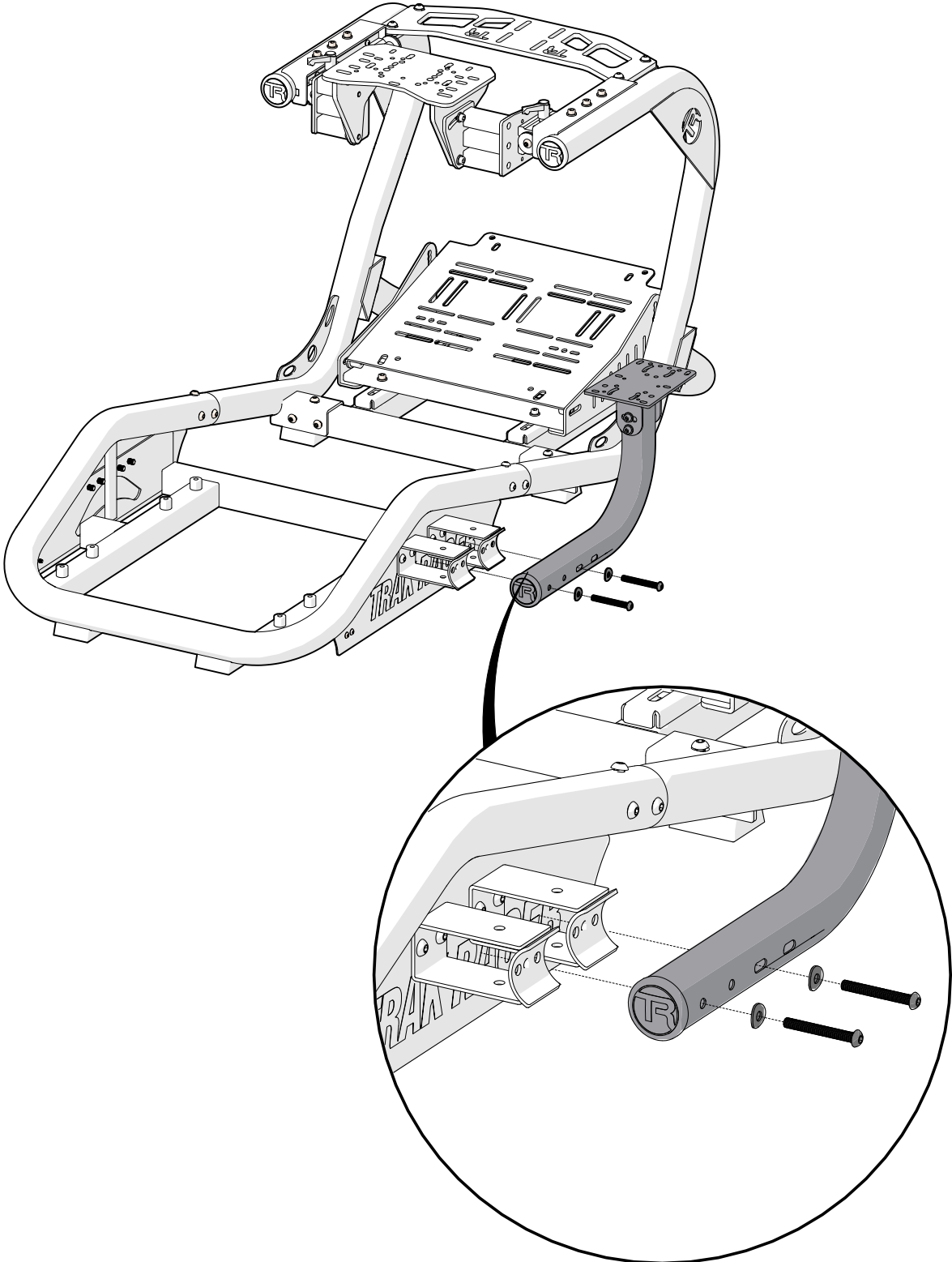


SB-M8-65 x2

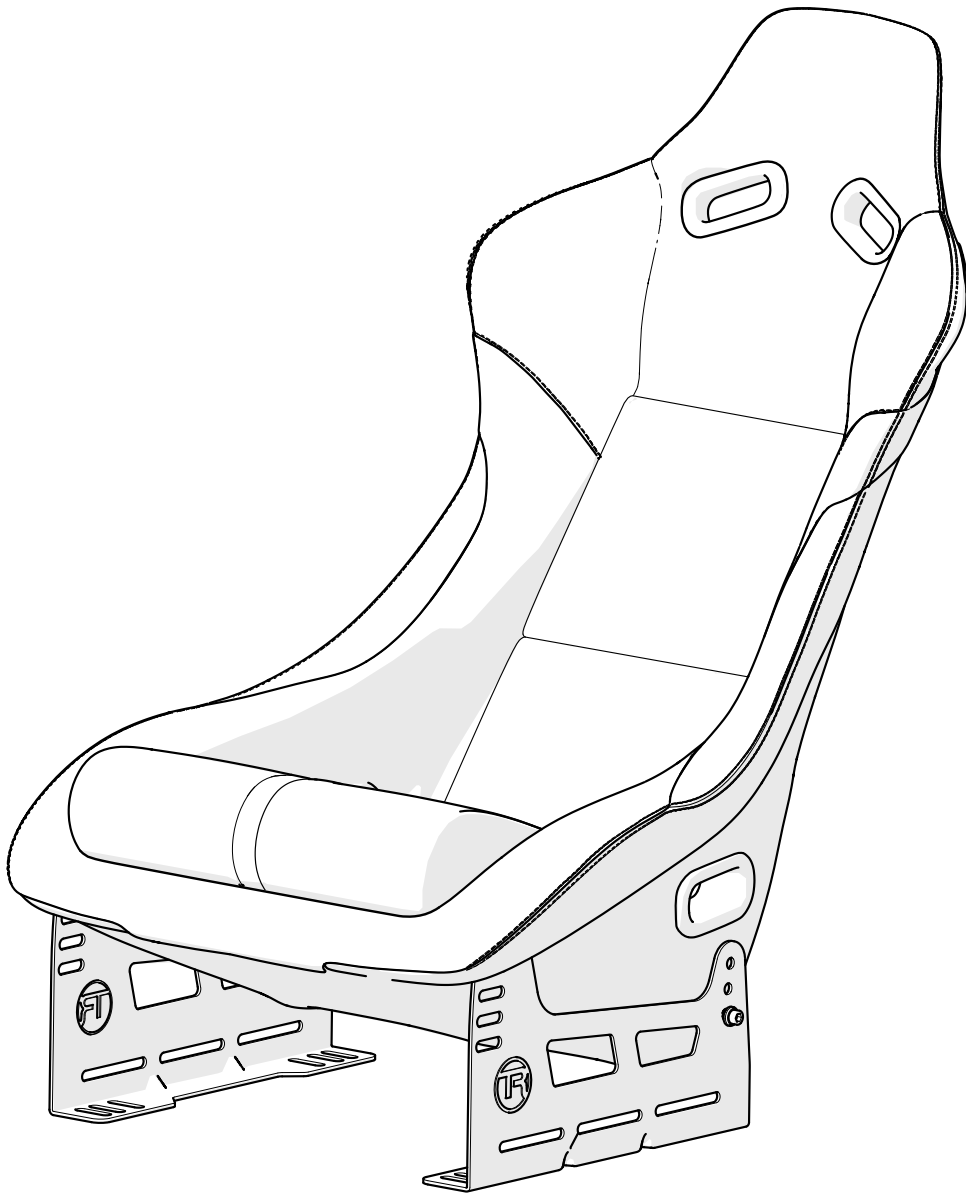


WC-M8 x2

NOTE: Some screws and washers com pre-installed. These will be part of the parts list and will need to be loosened and reattached according to the instructions.



OPTIONAL: Rally/GT Seat Assembly



SA-04/SA-05/SA-09/SA-10

1



M8x16mm

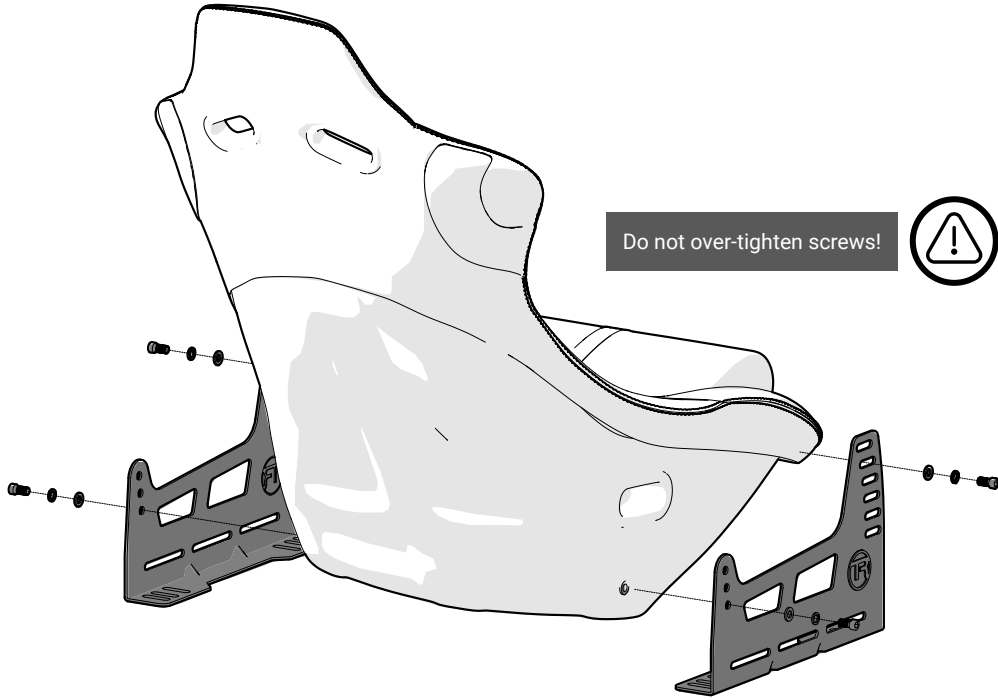
SH-M8-16 x4



WL-M8 x4



WF-M8 x4



Do not over-tighten screws!



2



M8x16mm

SH-M8-16 x4



WF-M8 x4



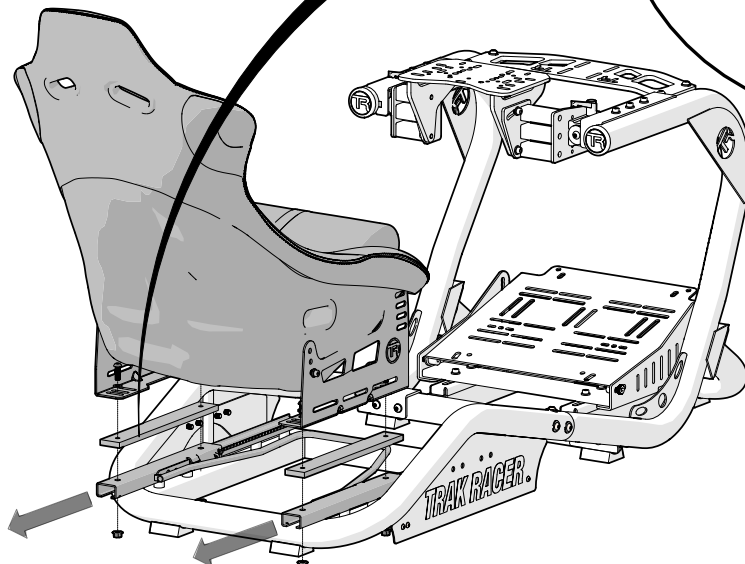
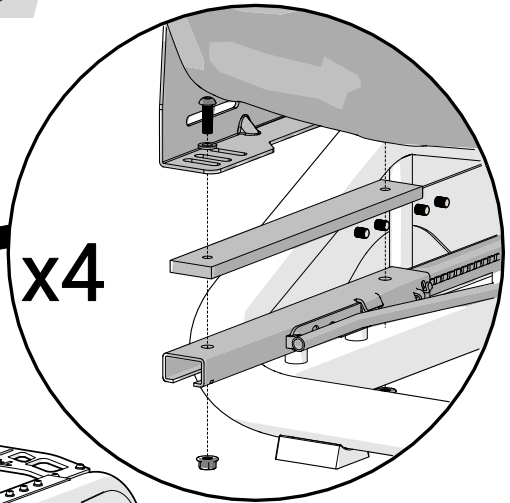
NH-M8 x4

Note: Hardware supplied with Seat Slider

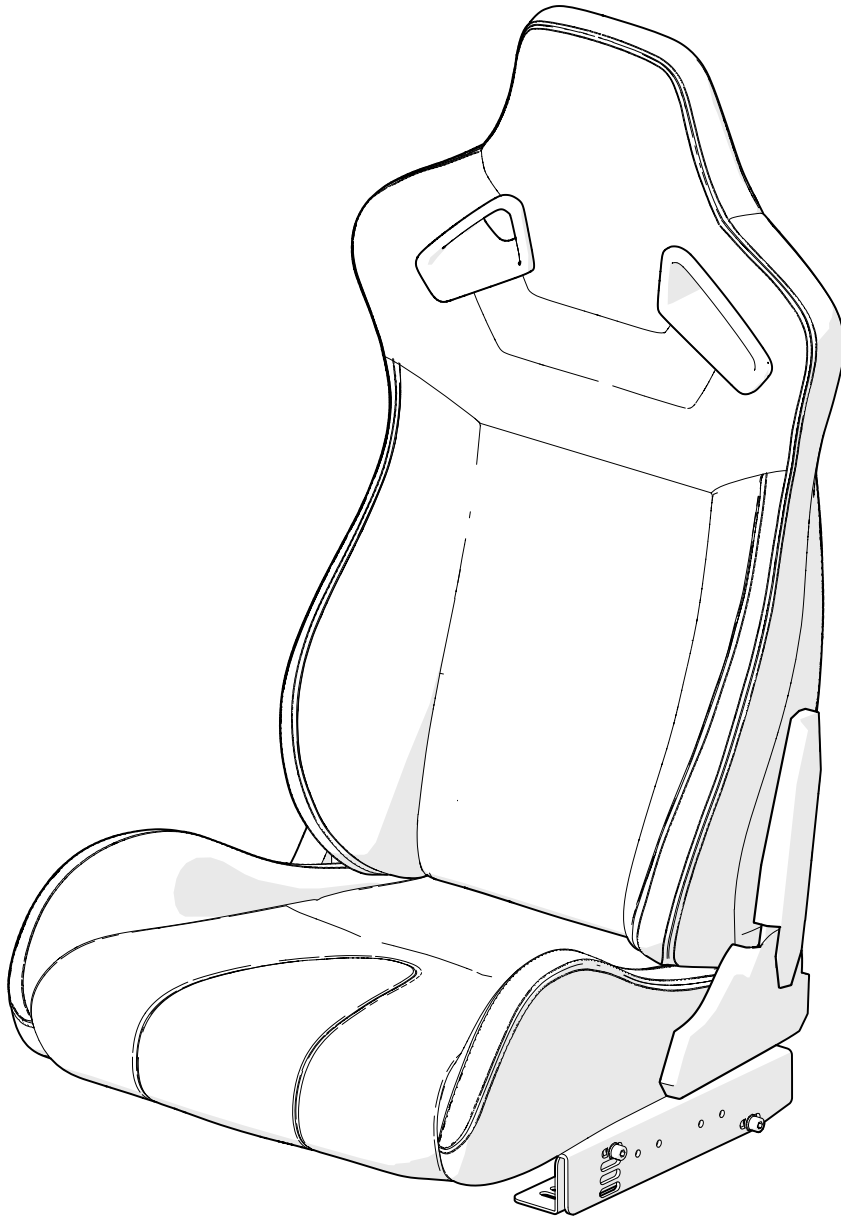
NH-M8 Nut may be pre-installed to seat slider



x4

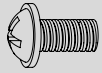


OPTIONAL: Recliner Seat Assembly



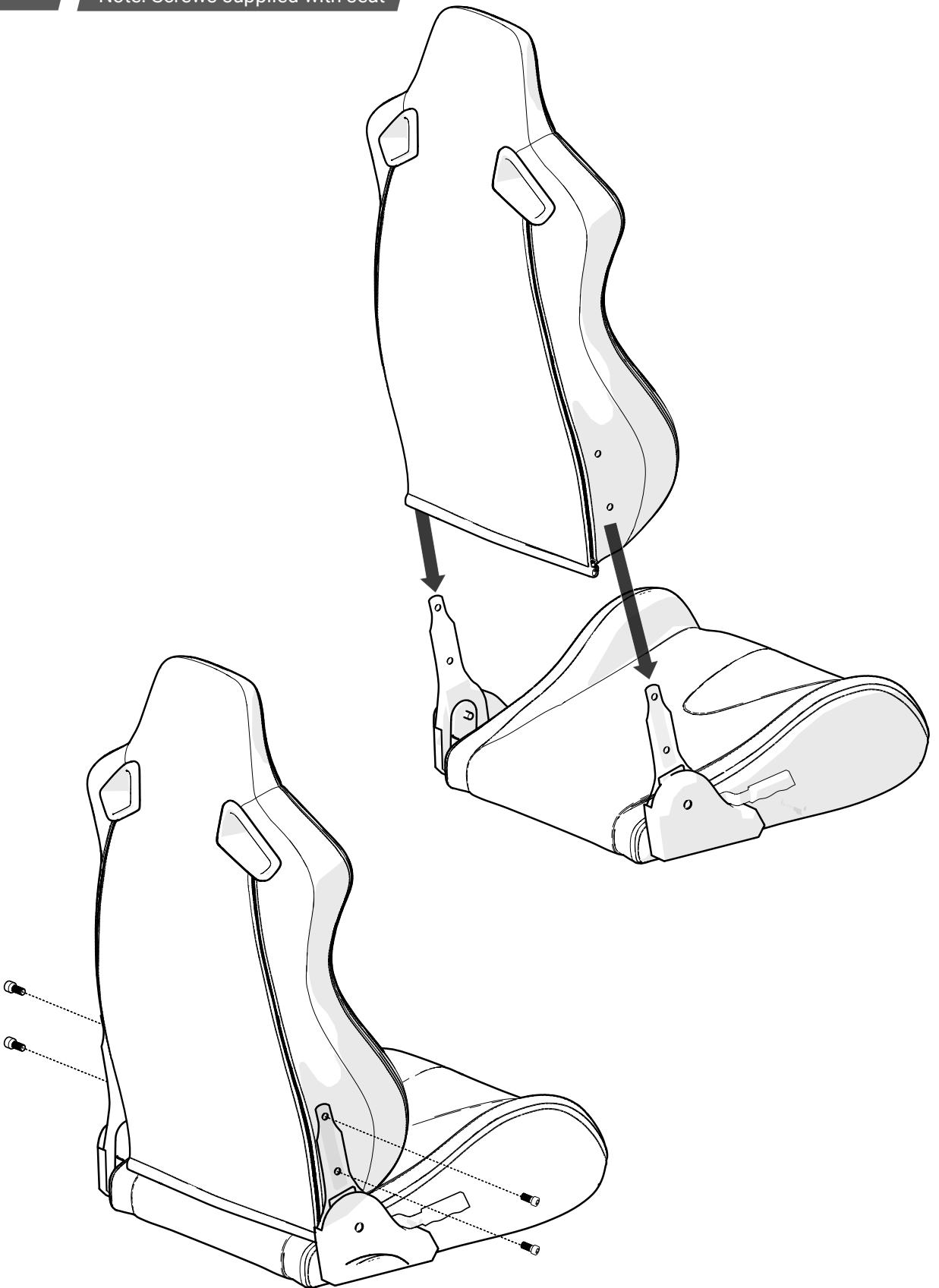
SA-06/SA-07/SA-08

1

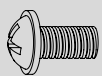


x4

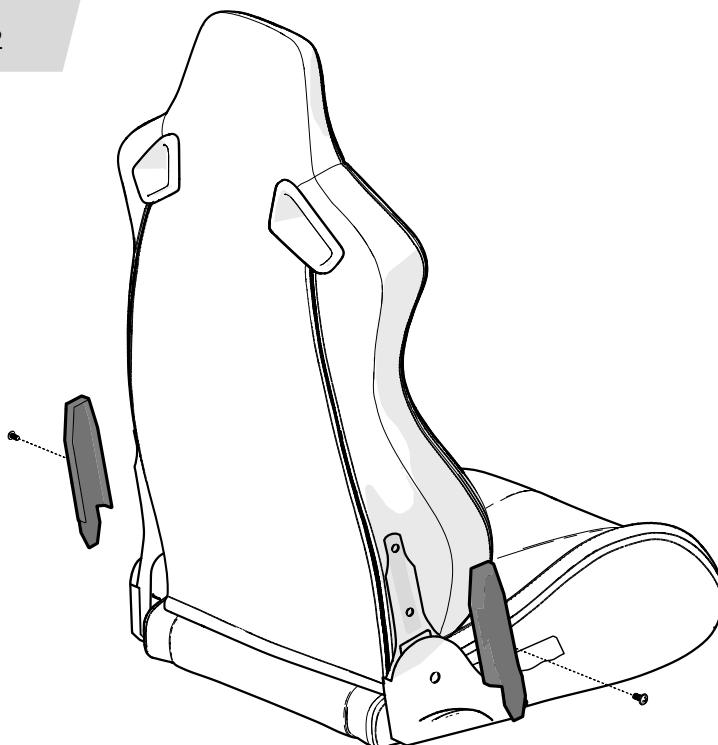
Note: Screws supplied with seat



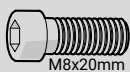
2



x2



3

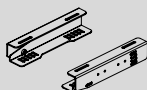


M8x20mm

SH-M8-20 x8

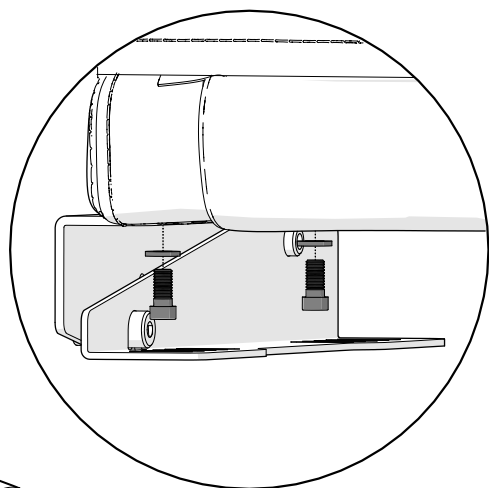
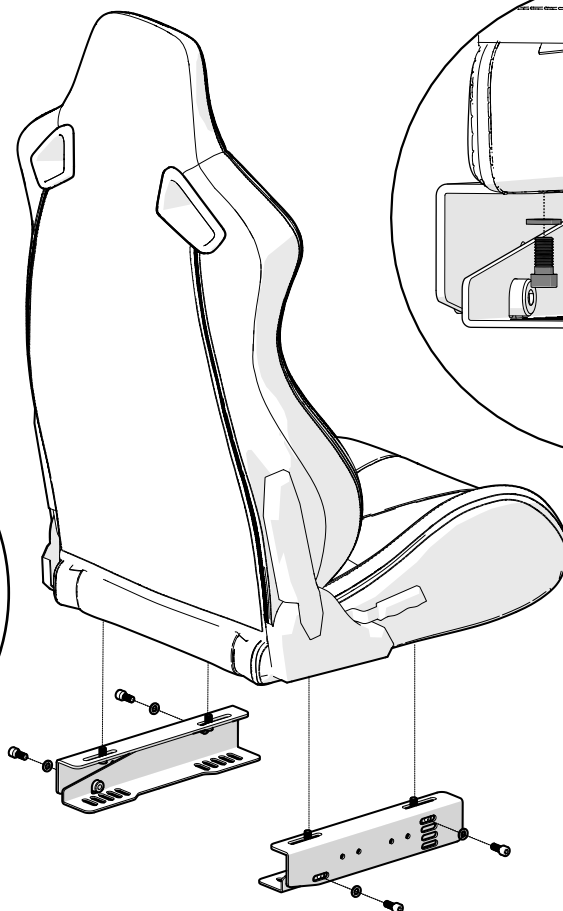
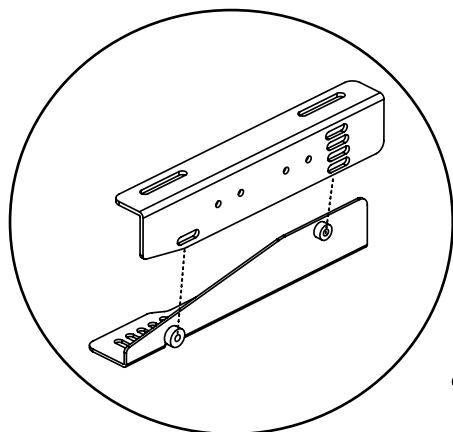


WF-M8 x8



SB-03 x1

Note: Screws supplied with seat & SB-03



4



M8x16mm

SH-M8-16 x4

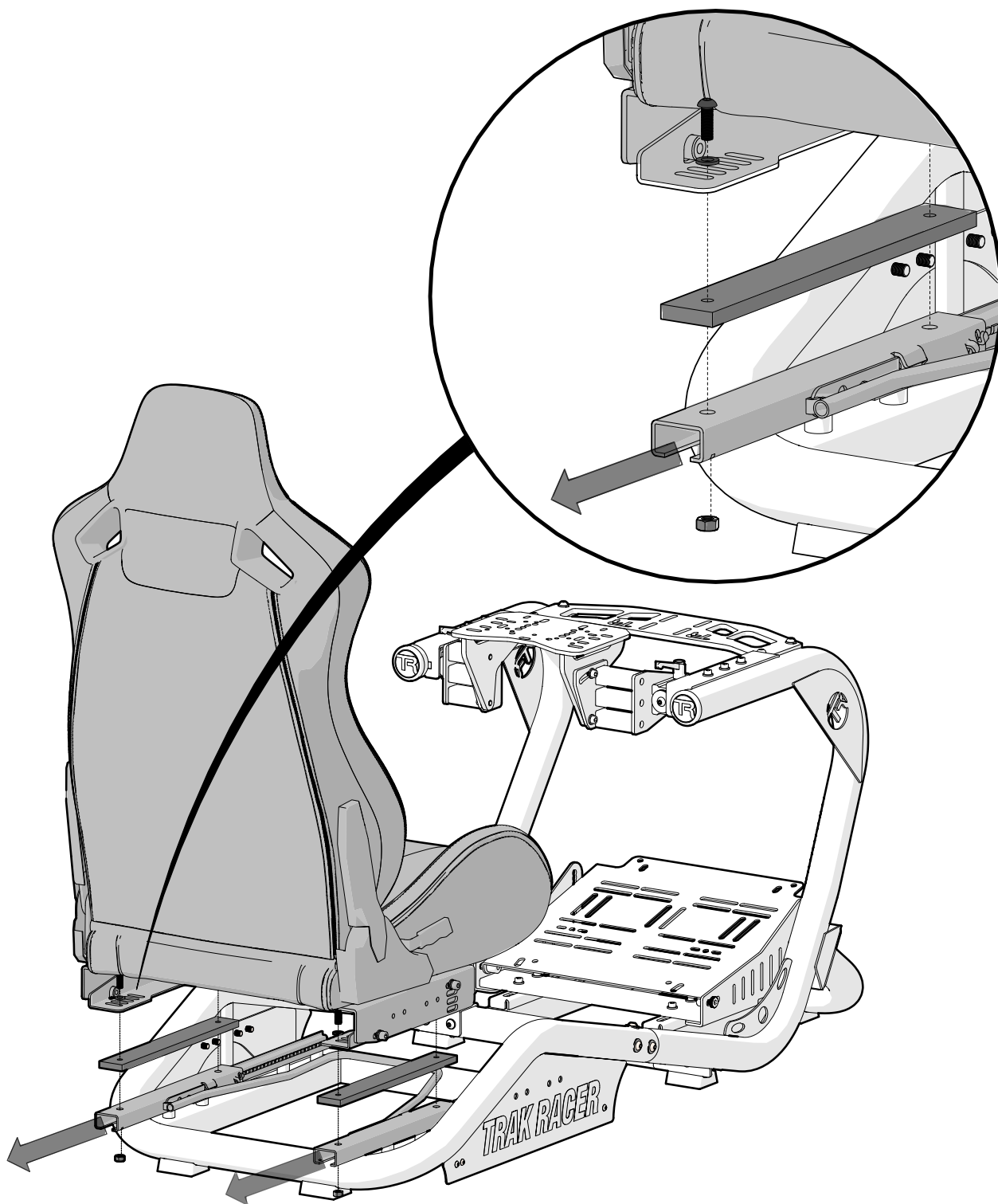


WF-M8 x4

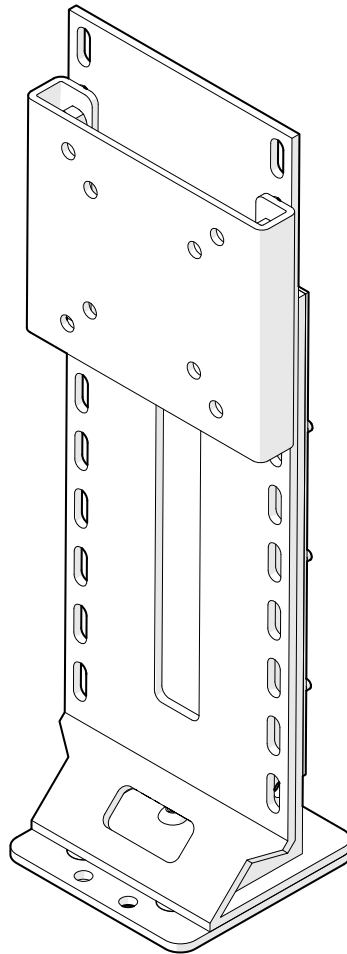


NH-M8 x4

Note: Hardware supplied with Seat Slider



OPTIONAL: TR8 Monitor Stand



Part #	Description	QTY	Check
BOX #: TR-TR8-SING			
SH-M8-10	Screw (Hex), M8x10	8	
SF-M8-16	Screw (Flat), M8x16	4	
WF-M8	Washer (Flat), M8	8	
NF-M8	Nut (Flange), M8	4	
BP-IS	Bracket (Plate), Integrated Single Monitor Mount	4	
BM-IS	Bracket (Monitor), Integrated Single Monitor Mount	2	

* **NOTE:** Extra hardware may be included as spare parts

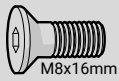
TR-TR8-SING



TRAK RACER

Published 2022-06-04

1



M8x16mm

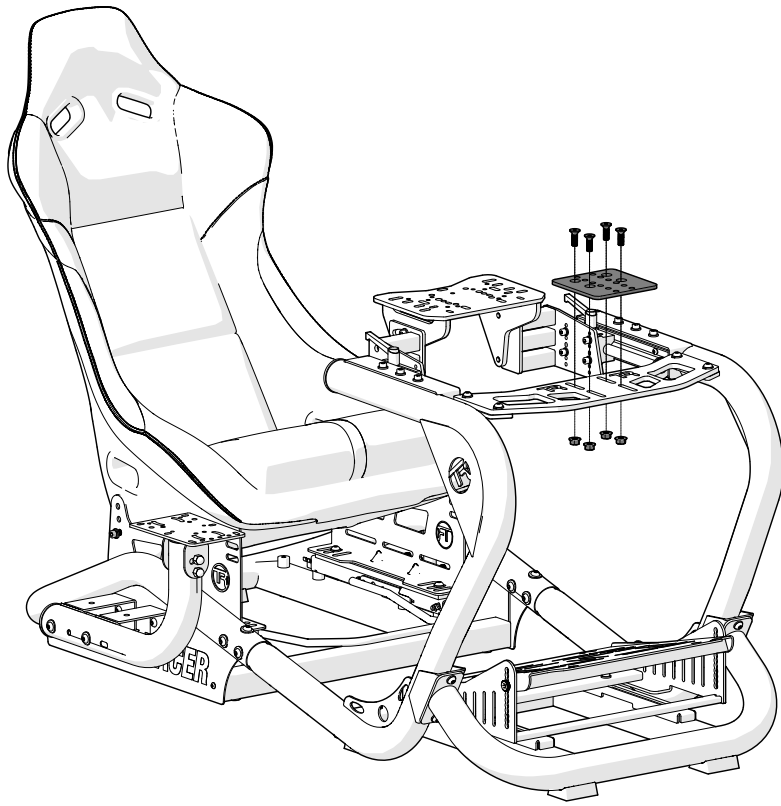
SF-M8-16 x4



NF-M8 x4



BP-IS x1



2

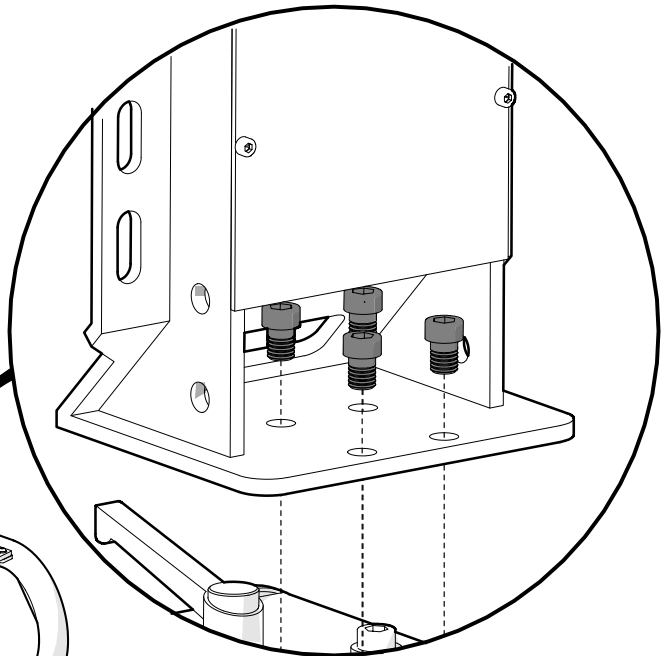
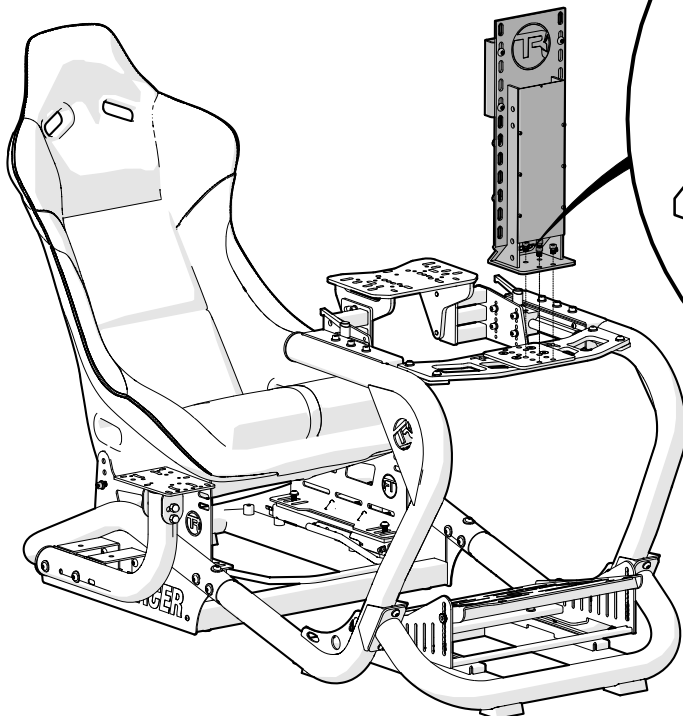


M8x10mm

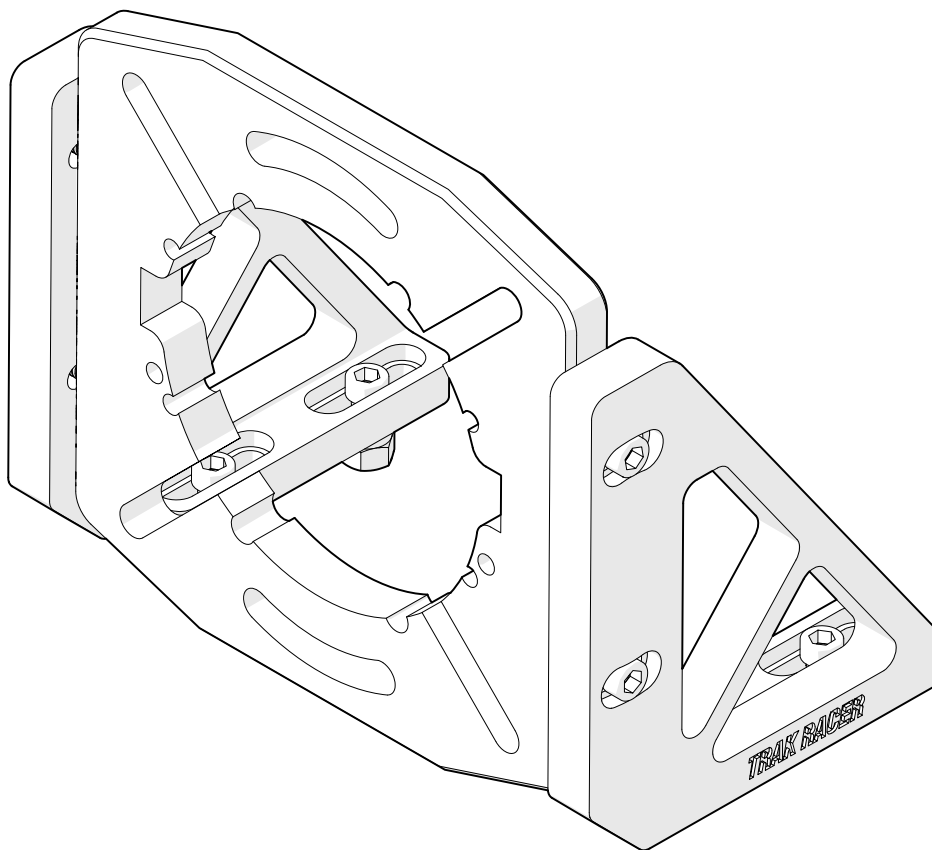
SH-M8-10 x4



BM-IS x4



OPTIONAL: Direct Mount for Simucube, Simucube 2, VRS, Simagic, MIGE



Part #	Description	QTY	Check
BOX #: TR8-DDBR			
SH-M8-25	Screw (Hex), M8x25	4	
WF-M8	Washer (Flat), M8	8	
WL-M8	Washer (Lock), M8	8	
NF-M8	Nut (Flange), M8	4	
WM-DD-BR	Wheel Mount, DD Brackets	2	
SH-M8-16	Screw (Hex), M8x16	4	
BOX #: TR80-NWMDD			
SH-M8-20	Screw (Hex), M8x20	4	
SH-M8-25	Screw (Hex), M8x25	4	
WF-M8	Washer (Flat), M8	4	
SH-M5-10	Screw (Button), M5x10	2	
WF-M5	Washer (Flat), M5	2	
WM-DD	Wheel Mount, Direct Drive	1	

* **NOTE:** Extra hardware may be included as spare parts

TR-DDBRDDM

1

a

FRONT MOUNT



M8x20mm

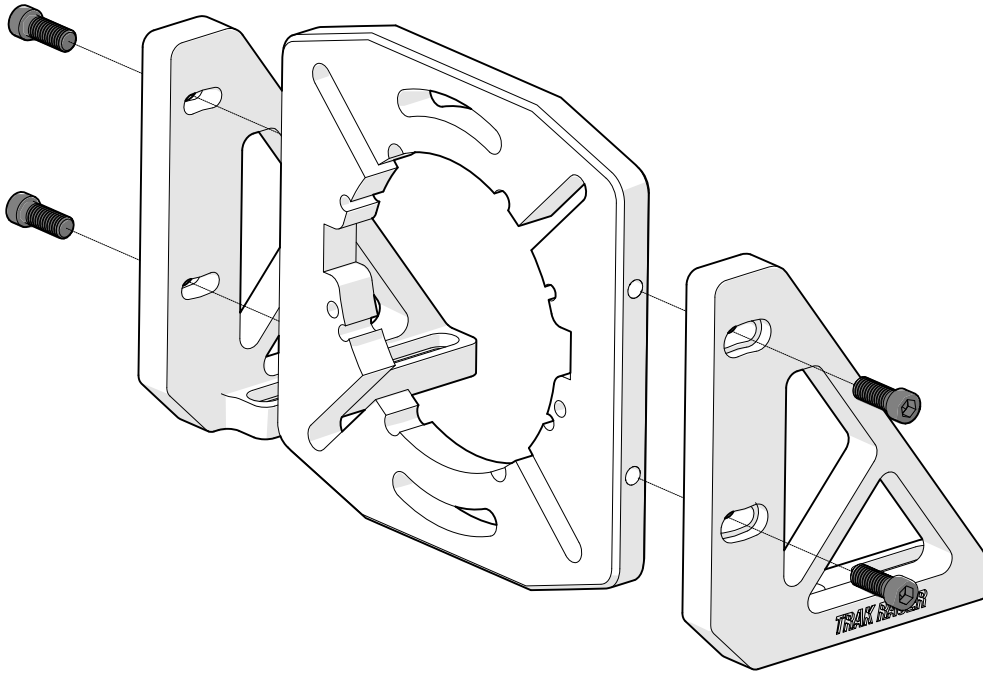
SH-M8-20 x4



WM-DD-BR x2



WM-DD x1



2

a

FRONT MOUNT

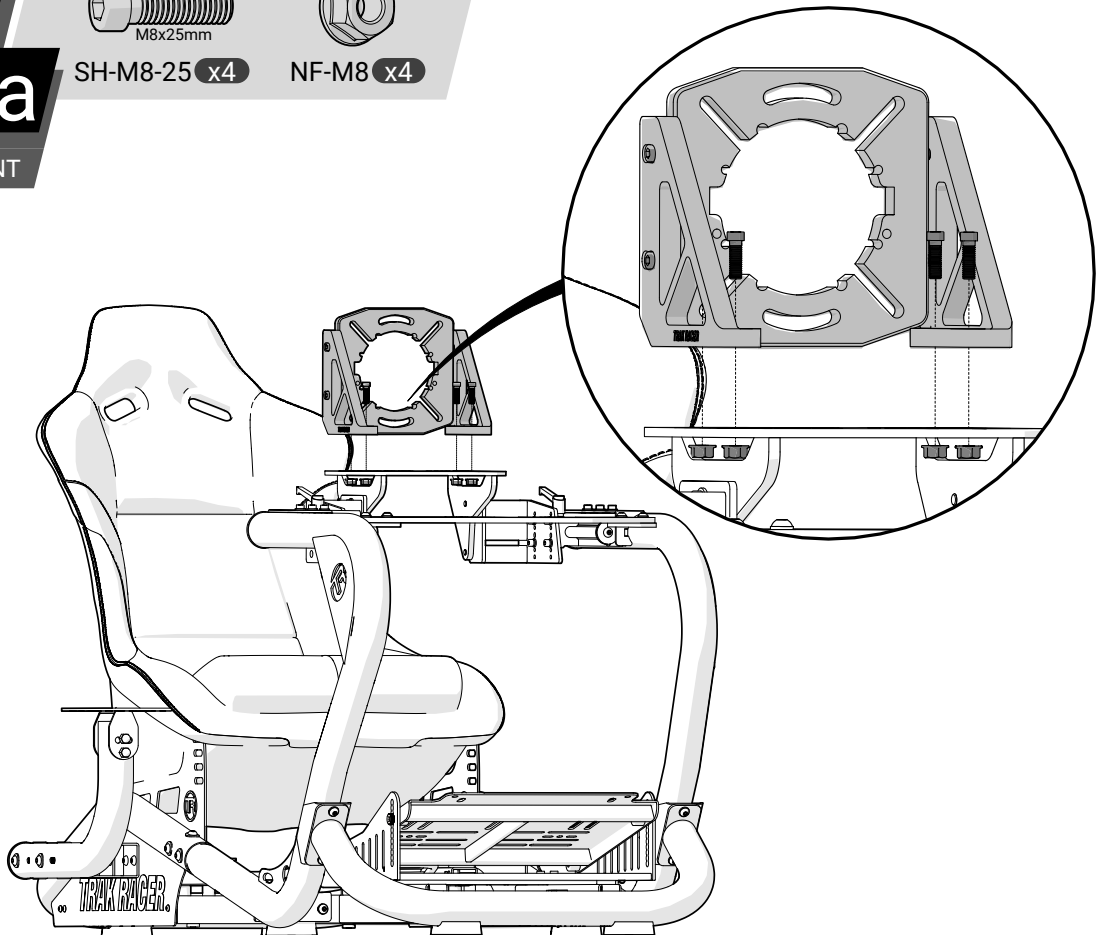


M8x25mm

SH-M8-25 x4



NF-M8 x4



3a

FRONT MOUNT



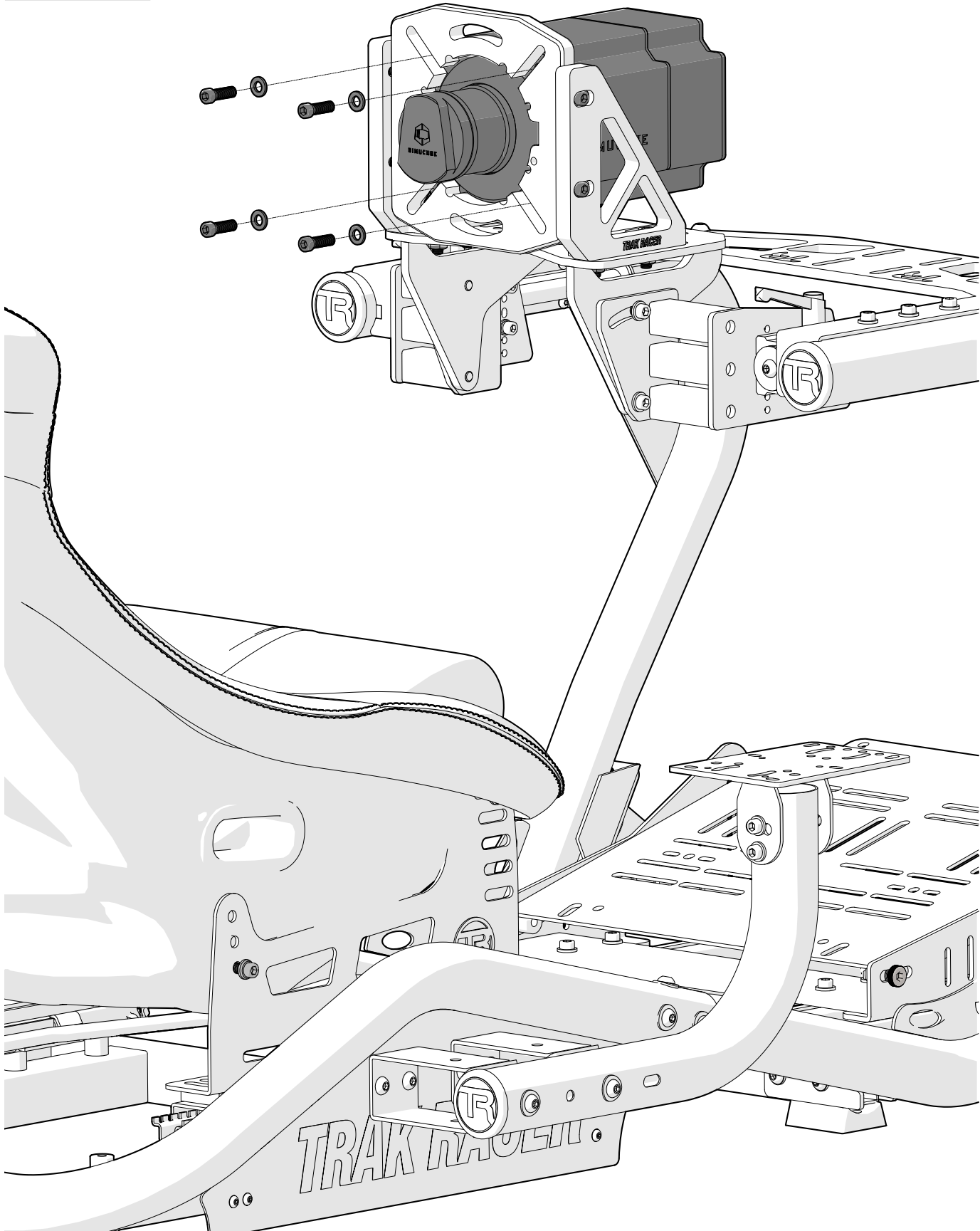
M8x25mm



SH-M8-25 x4

WF-M8 x4

NOTE: Use mounting screws provided with wheelbase if necessary



1

b

SIDE MOUNT



M8x20mm

SH-M8-20 x4

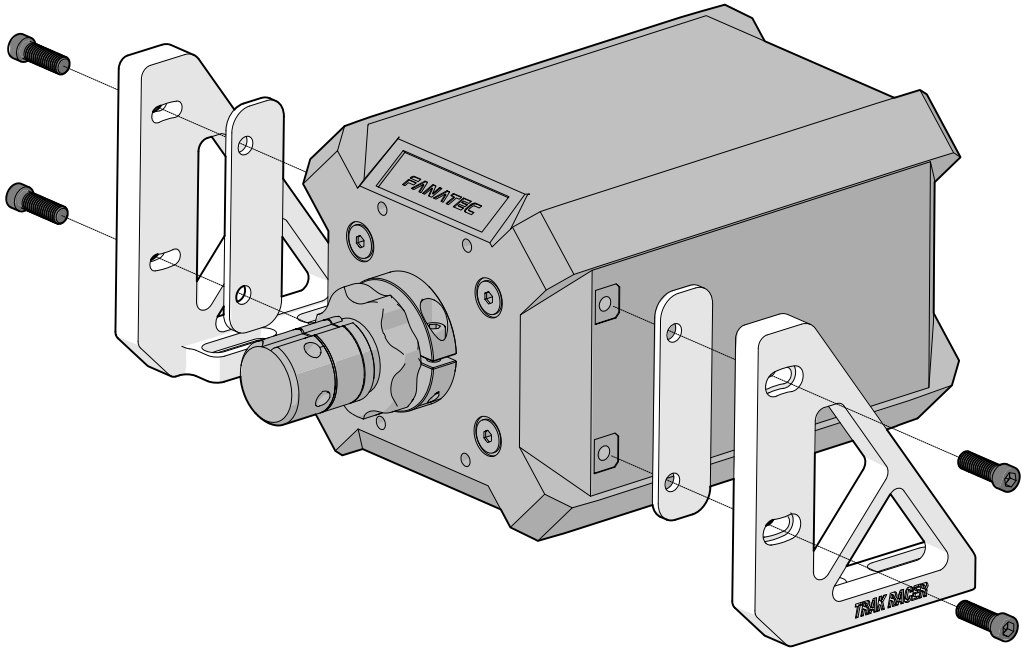


WM-DD-BR x2



WM-DD x2

NOTE: Use mounting screws provided with wheelbase if necessary



2

b

SIDE MOUNT

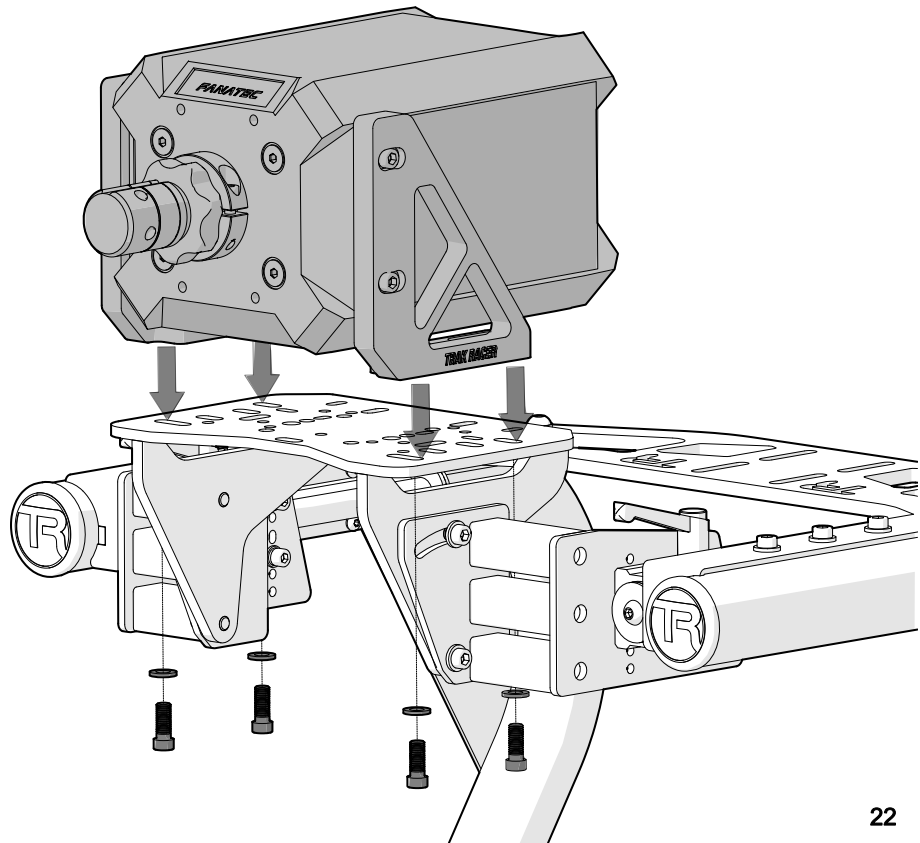


M8x20mm

SH-M8-20 x4



WF-M8 x4



FINISHED



Share your build online and tag us to be featured!



@trakracer



@trakracer



@trak_racer